



## Stationary screwdrivers- compact

Automatic screw  
and assembly  
systems from  
**STÖGER**

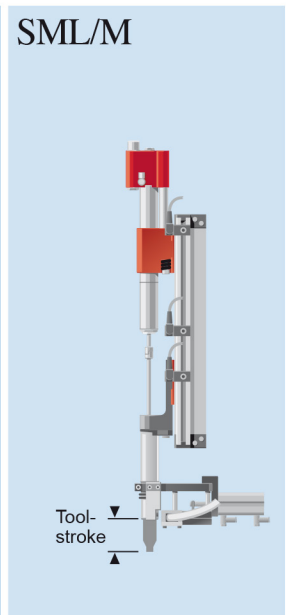
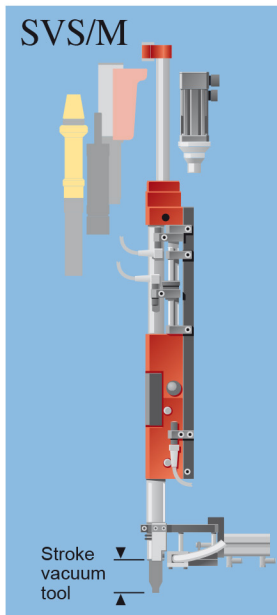
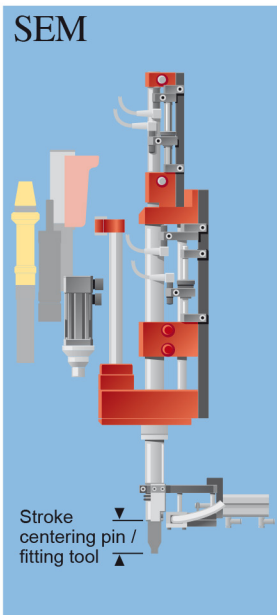
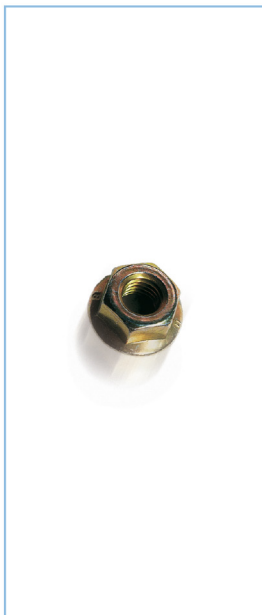
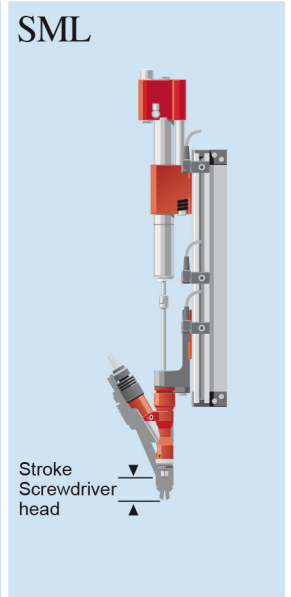
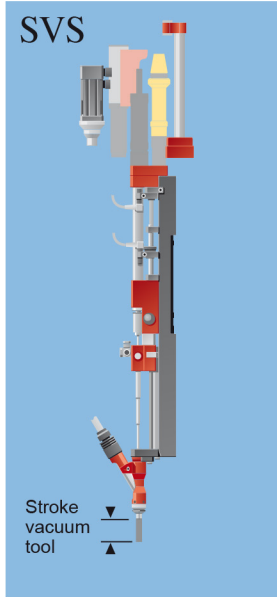
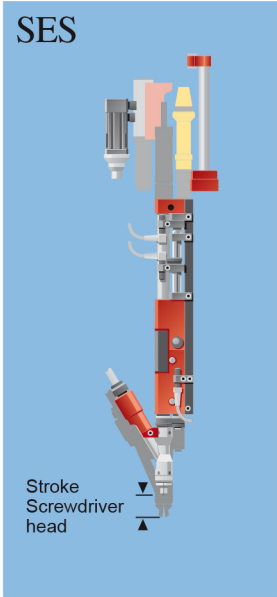


**STÖGER**  
AUTOMATION

# Screwdriver units

## Premium

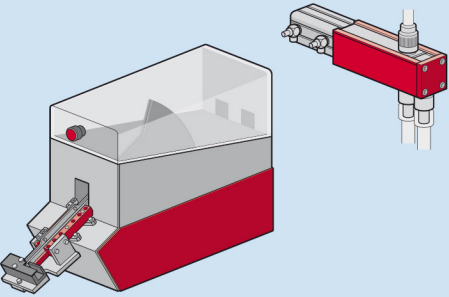
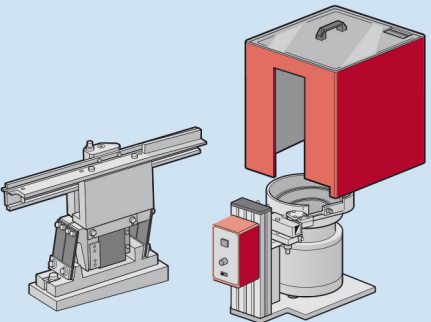
## Economy



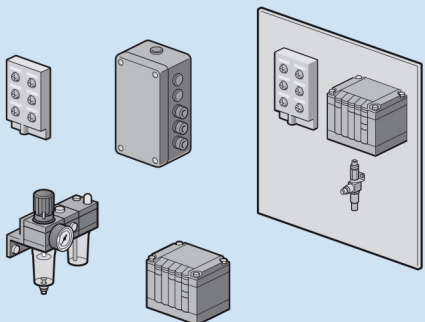
Pneumatic motor	•	•	•
EC-motor	•	•	•
EC motor with transducer	•	•	
Free choice of drive system (on consultation)	•	•	
Vacuum tool		•	

# Feeding, controlling and accessories

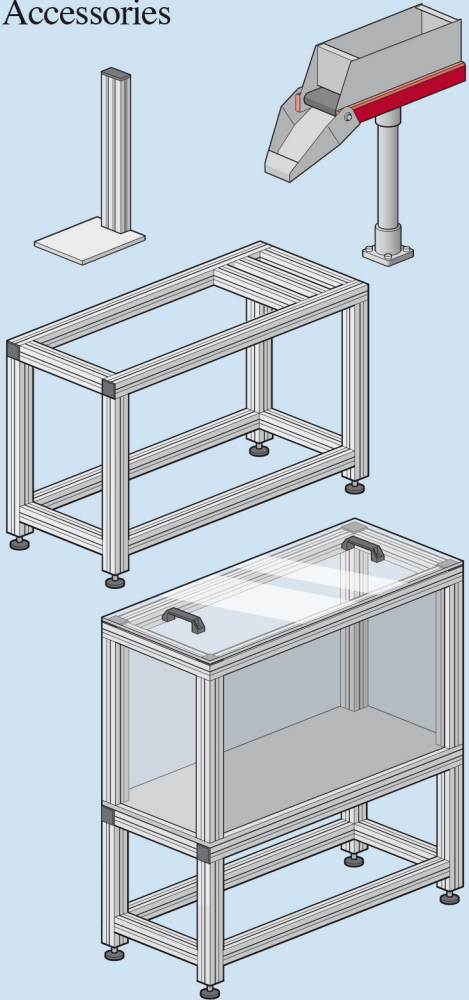
## Feeding units



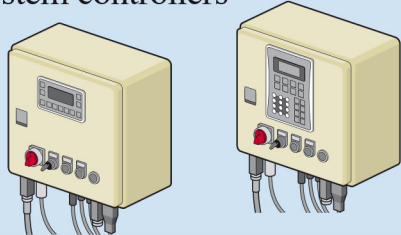
## Electro-pneumatic equipment



## Accessories

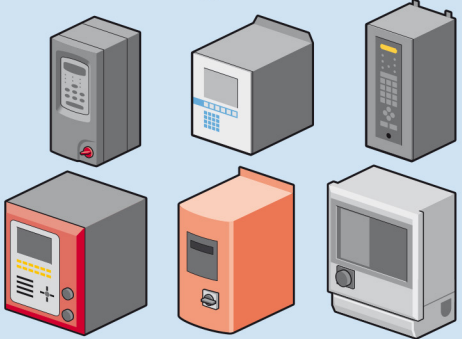


## System controllers



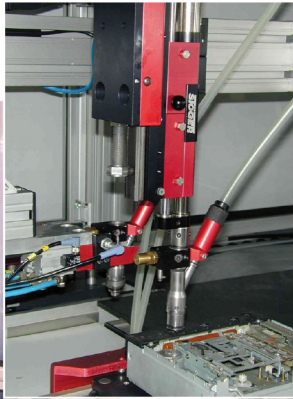
## Drive controllers

Controllers from other suppliers

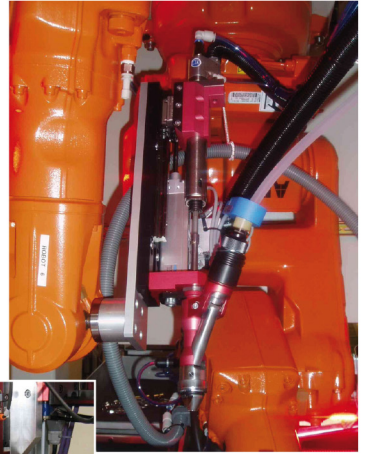


# STÖGER Screwdrivers in use

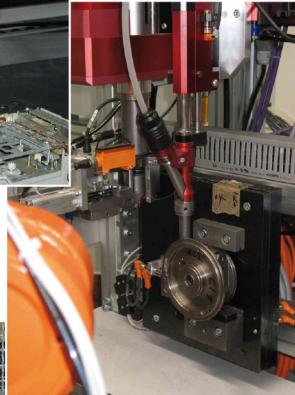
Assembly of  
radio housings



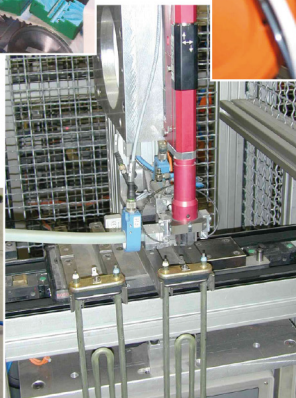
Inserting thread-forming  
screws into plastic rings  
for the electro-industry



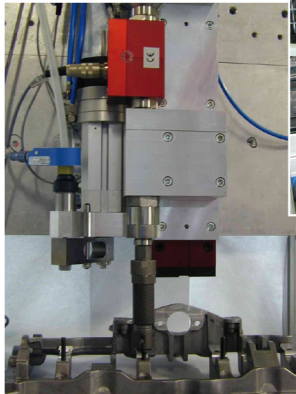
Robot-mounted screw-  
driver for fitting hinges  
in the furniture industry



Fitting studs to a turbo-  
charger housing



Fitting nuts to heating  
elements for water boilers



Fitting studs to cylinder heads  
in the automobile industry

**TOP 100**  
We are among the  
100 most innovative  
companies in Germany !



Lorenz Stöger being presented with  
the award by Lothar Späth

OUR TURN  
YOUR ADVANTAGE



**STÖGER**  
AUTOMATION

**STÖGER AUTOMATION GmbH · Gewerbering am Brand 1 · D-82549 Königsdorf**

+49(0)8179/99767-0

+49(0)8179/99767-50

eMail [info@stoeger.com](mailto:info@stoeger.com)

Internet [www.stoeger.com](http://www.stoeger.com)